

# CM-DP-2HPN/ DR-201DS

Door phone for single houses which can control visitors safely and comfortably.



## CM-DP-2HPN

**Feature** : Surface Mount Type/ Handset Door Answering/ Door Release/ Chime Sound  
Additional Interphone Connectable

**Connectable Products** : DR-201DS, DR-2KS, DR-20SD, DR-201AS

**Wiring** : Door Unit - 2 Wires

**Power** : DC 12V

**Dimensions (W/H/D)** : 107 X 195 X 52(mm)



## DR-201DS

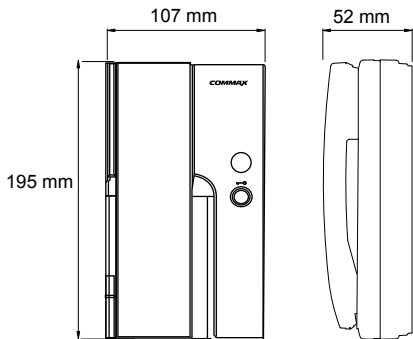


**Function** : Call Room Unit

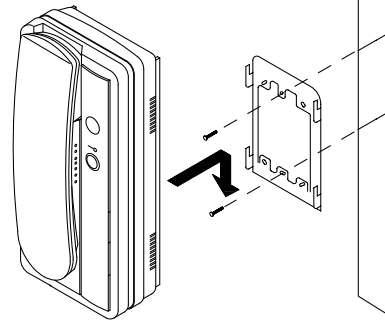
**Applicable Products** : DP-201RN, DP-2KN

**Material** : Plastic/ Surface Mount Type

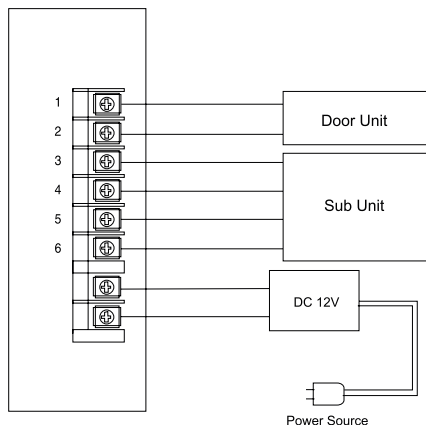
### ■ DIMENSIONS



### ■ MOUNTING DIAGRAM



### ■ CONNECTION DIAGRAM



### ■ SYSTEM DIAGRAM

